

INSTALLATION INSTRUCTION

Atmosphere 2.5" - New Construction Round Housing

A1RA-246, A1RA-247



SAFETY INSTRUCTION

IMPORTANT: Never attempt any work without shutting off the electricity.

- Read all instructions before installing.
- System is intended for installation by a qualified electrician in accordance with the National Electrical Code and local regulations.
- Go to the main fuse box, or circuit breaker. Place the main power switch in the "OFF" position and unscrew the fuse(s) or switch "OFF" the circuit breaker switch(es) that control the power to the fixture or room that you are working on.
- Place the wall switch in the "OFF" position.

AVERTISSEMENT

IMPORTANT: Coupez l'électricité avant TOUTE manipulation.

- Lisez toutes les instructions avant d'installer.
- Système est destiné à être installé par un électricien qualifié en conformité avec le code national de l'électricité et les règlements locaux.
- Accédez au panneau central de disjoncteurs ou de fusibles de votre demeure et placez l'interrupteur principal en position d'arrêt (« OFF »).
- Placez l'interrupteur mural en position d'arrêt (« OFF »).

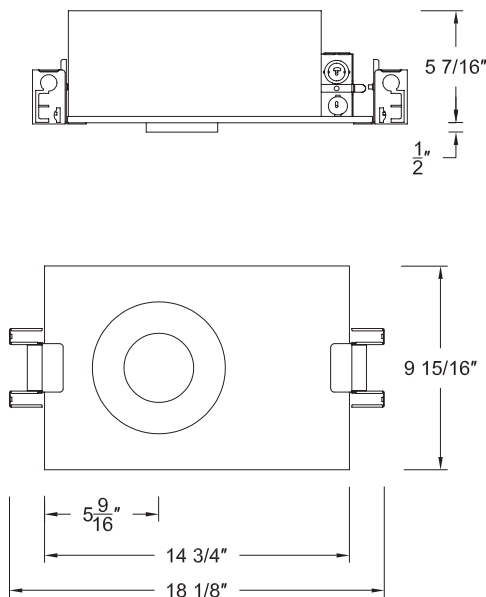
CAUTION:

All parts must be used as indicated in these instructions. Do not substitute any parts, leave parts out, or use any parts that are worn out or broken. Failure to follow this instruction could invalidate the ETL/cETL listing of this fixture.

OVERVIEW:

Housing is new construction. Housing requires a trim for a finished look. Refer to specification sheets for compatible trim options.

OVERALL HOUSING DIMENSION



SPECIFICATIONS	
Input:	120-277V, 50/60 Hz
Installation:	Non-IC for -2 model (22W)
	IC for -1 model (15W)
Dimming	DMX for CT-X model 0-10V for CT-Z model

AISPiRE retains the right to modify the design of our products at any time as part of the company's continuous improvement program.

INSTALLATION INSTRUCTION

Atmosphere 2.5" - New Construction Round Housing

A1RA-246, A1RA-247

FIG. 1

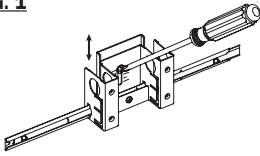


FIG. 2

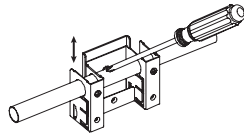


FIG. 3

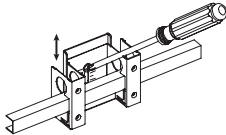


FIG. 4

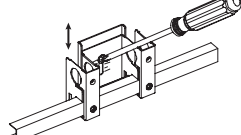


FIG. 5

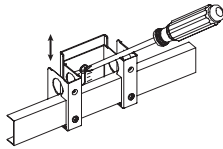


FIG. 6

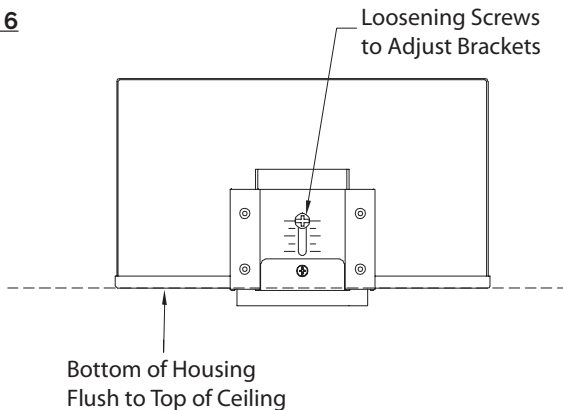
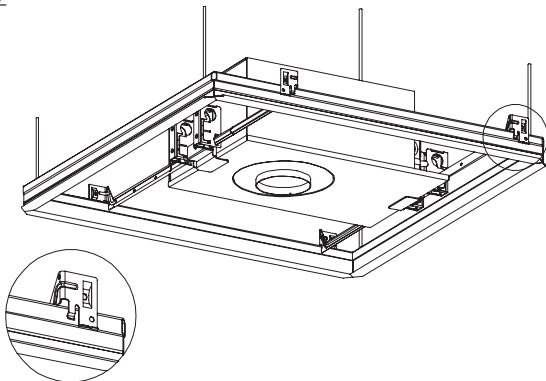


FIG. 7



TRIM HOUSING INSTALLATION

1. Housing features mounting brackets that can be used with hanger bars or various channel supports (See FIG. 1-5).

Adjust the brackets to proper height by loosening the screws such that the bottom of housing is flush to top of finished ceiling plane (See FIG. 6). Retighten screws securely.

2. Slide the male and female hanger bars or other channel supports through the appropriate holes in the brackets.

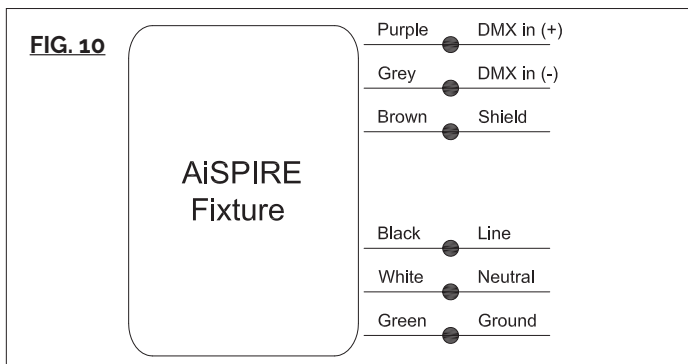
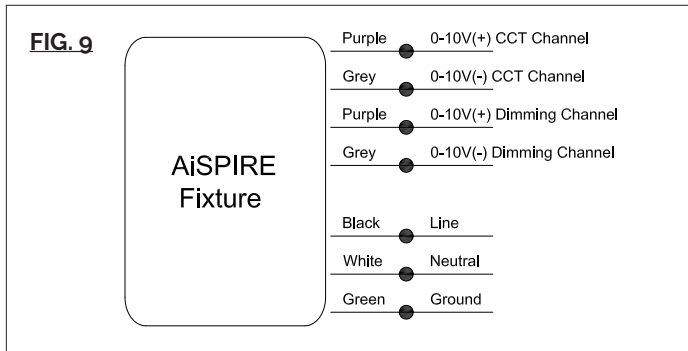
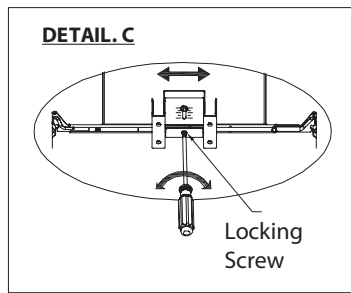
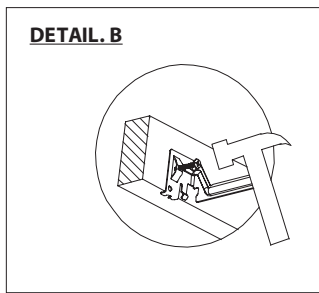
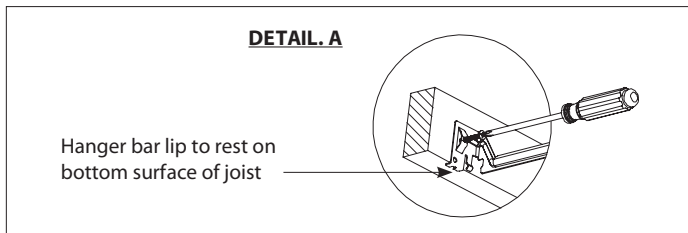
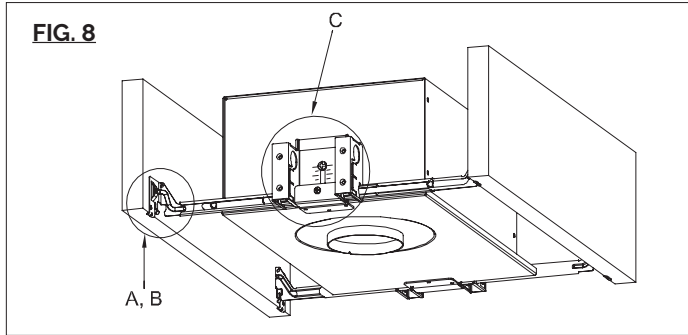
3. A. FOR HANGER BAR INSTALLATION ON GRID:

Hanger bars are notched on the ends to fit over "T" bars in the suspended ceilings supported with tie wires (by others) to upper ceiling structure (See FIG. 7).

INSTALLATION INSTRUCTION

Atmosphere 2.5" - New Construction Round Housing

A1RA-246, A1RA-247



B. FOR HANGER BAR INSTALLATION ON JOISTS:

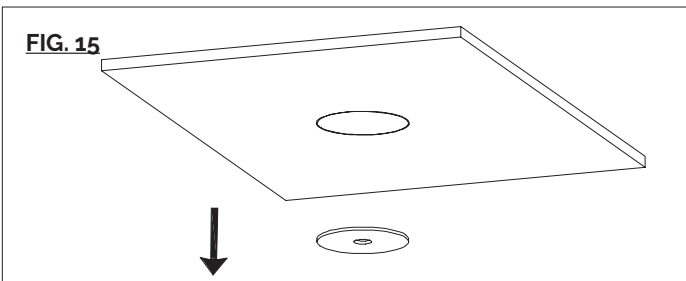
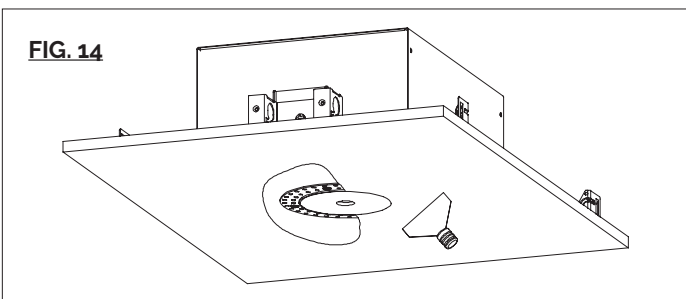
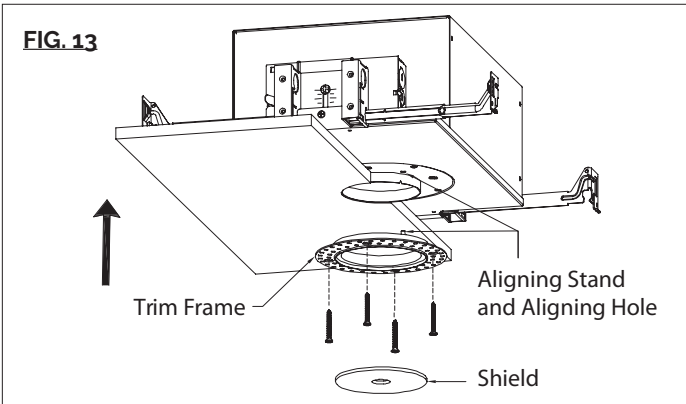
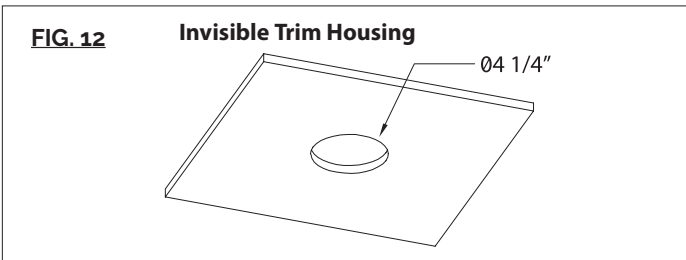
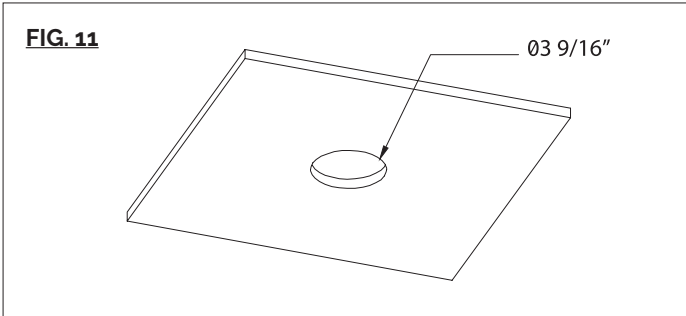
Install the hanger bar and housing assembly such that the lip of the hanger bar rests on the bottom surface of the joist. Use a screw-driver or hammer to secure the "screw-nail" into the wood (See **FIG.8**).

- Slide the housing along the hanger bars to the desired position (See **Detail. C**). Tighten bottom locking screws to secure the housing in place.
- Connect fixture wires to building wires: insert each supply wire into appropriate connector.
 - For 0-10V control [**CT-Z** models] (See **FIG. 9**): Two 0-10V input signals are used to achieve CCT and intensity changing. Recommended maximum of 500ft of 18 ga 0-10V communication wiring.
 - For DMX control [**CT-X** models] (See **FIG. 10**): Two DMX input channels are used to achieve CCT and intensity changing. Factory default Channel 1 is CCT changing and Channel 2 is intensity changing. If differing channels are desired in the field, use of a RDM compatible control console can reassign channels.

It is recommended to use cable specifically designed for DMX. These cables have an impedance of 120Ω and a low capacitance. For instance: Belden 9841 or 3105a. At the last fixture, the cable to be terminated with a 120Ω resistor between the DMX (+) and DMX (-) pinouts to prevent reflections of the signal. The resistor value of the resistor on the last driver should be kept the same as the resistor of signal wires. Recommended maximum of 500ft of cabling from controller to last fixture. After 32 unit loads a repeater/ booster is recommended.

AiSPIRE retains the right to modify the design of our products at any time as part of the company's continuous improvement program.

INSTALLATION INSTRUCTION
Atmosphere 2.5" - New Construction Round Housing
 A1RA-246, A1RA-247



6. Cut a 3 9/16" diameter hole in the ceiling at the point of installation and install ceiling (See FIG. 11).

For invisible trims, cut a 4 1/4" diameter hole in the ceiling (See FIG. 12).

7. Refer to installation instructions for appropriate trims to complete the installation.

Note: Ceiling thickness table below

Trim Model	Trim Description	Ceiling Thickness		
		1/2"	1"	1 1/2"
A1RA-D	Downlight	Yes	Yes	Yes
A1RA-S	Shallow Regressed Trim	Yes	Yes	Yes
A1RA-A A1RA-P	Adjustable/ Pinhole	Yes, to 45°	Yes, to 35°	Yes, to 20°
A1RA-W	Wall Wash	Yes	Yes	No

INVISIBLE TRIM HOUSING INSTALLATION

1. Repeat the same procedure as above from step 1 to step 6.
2. Raise the invisible trim frame aligning stand to hole, and secure to trim mounting plate by using the screws supplied. Put plaster shield inside trim opening (See FIG. 13).
3. Apply plaster or spackle over invisible trim frame and sand surface when dry for a finished look (See FIG. 14).
4. Remove the plaster shield when finishing is complete (See FIG. 15).
5. Refer to installation instructions for appropriate trims to complete the installation.

AISPiRE retains the right to modify the design of our products at any time as part of the company's continuous improvement program.