

INSTALLATION INSTRUCTION

Atmosphere 2.5" - Downlight Round Trim

A1RA-D48, A1RA-S48

SAFETY INSTRUCTION

IMPORTANT: Never attempt any work without shutting off the electricity.

- Read all instructions before installing.
- System is intended for installation by a qualified electrician in accordance with the National Electrical Code and local regulations.
- Go to the main fuse box, or circuit breaker. Place the main power switch in the "OFF" position and unscrew the fuse(s) or switch "OFF" the circuit breaker switch(es) that control the power to the fixture or room that you are working on.
- Place the wall switch in the "OFF" position.

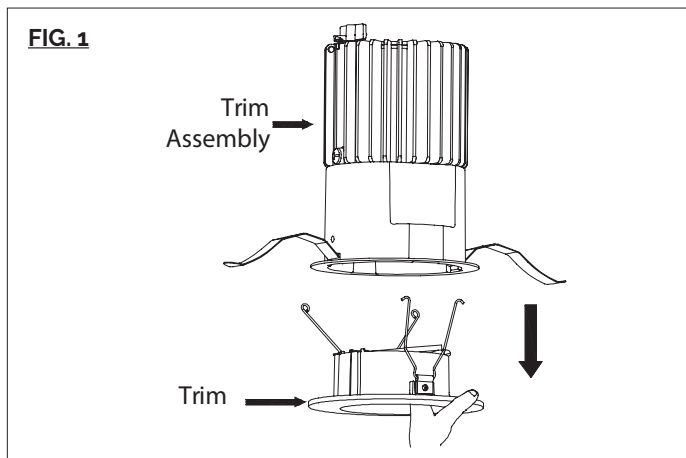
AVERTISSEMENT

IMPORTANT: Coupez l'électricité avant TOUTE manipulation.

- Lisez toutes les instructions avant d'installer.
- Système est destiné à être installé par un électricien qualifié en conformité avec le code national de l'électricité et les règlements locaux.
- Accédez au panneau central de disjoncteurs ou de fusibles de votre demeure et placez l'interrupteur principal en position d'arrêt (« OFF »).
- Placez l'interrupteur mural en position d'arrêt (« OFF »).

CAUTION:

All parts must be used as indicated in these instructions. Do not substitute any parts, leave parts out, or use any parts that are worn out or broken. Failure to follow this instruction could invalidate the ETL/cETL listing of this fixture.

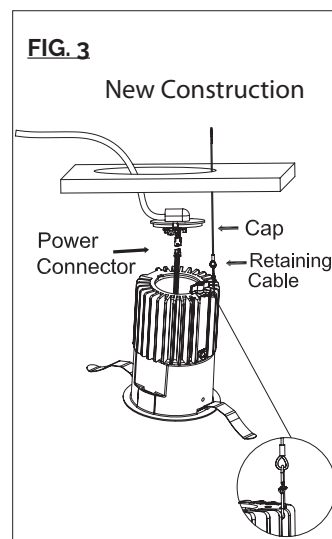
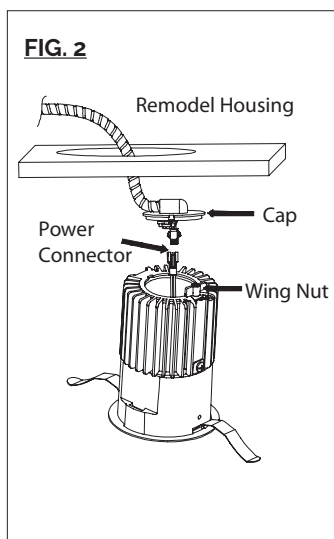


TRIM MODEL

Refer to specification sheets for compatible housing and trim details. Follow appropriate housing instructions to begin installation.

TRIM AND INVISIBLE TRIM INSTALLATION

1. Remove trim from trim assembly (See **FIG.1**).
2. Raise trim assembly to ceiling cutout.
3. Connect power connector, install cap onto top of heat sink and turn wing nut to lock cap securely. For new construction housing, connect retaining cable from housing to trim. (See **FIG. 2 & FIG. 3**).

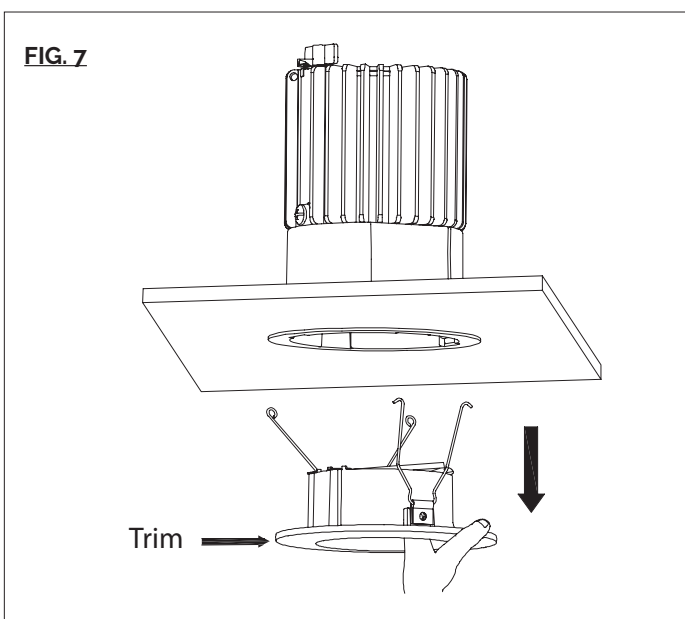
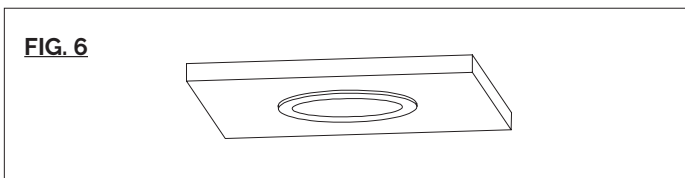
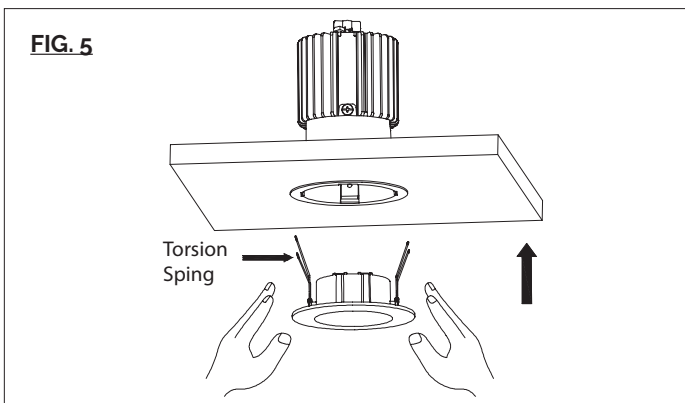
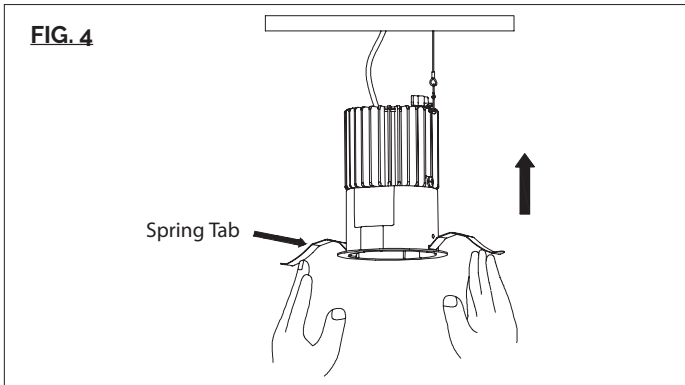


AiSPIRE retains the right to modify the design of our products at any time as part of the company's continuous improvement program.

INSTALLATION INSTRUCTION

Atmosphere 2.5" - Downlight Round Trim

A1RA-D48, A1RA-S48



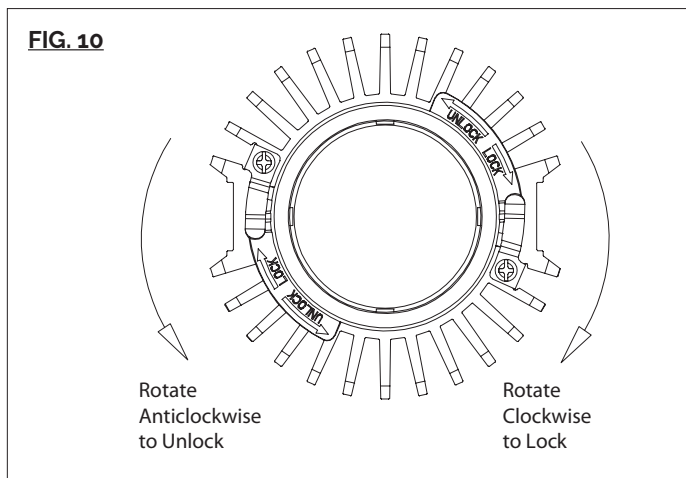
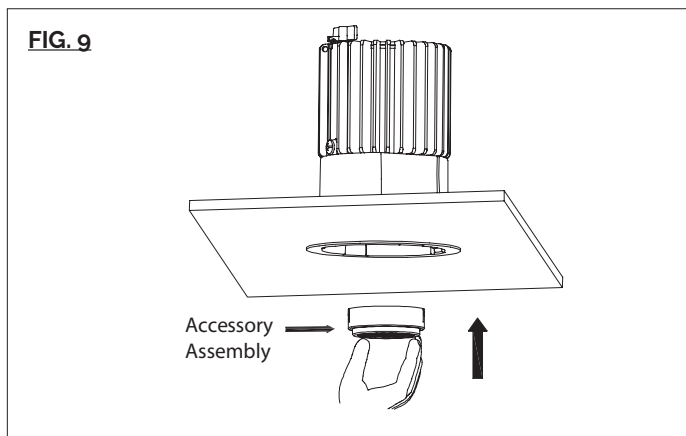
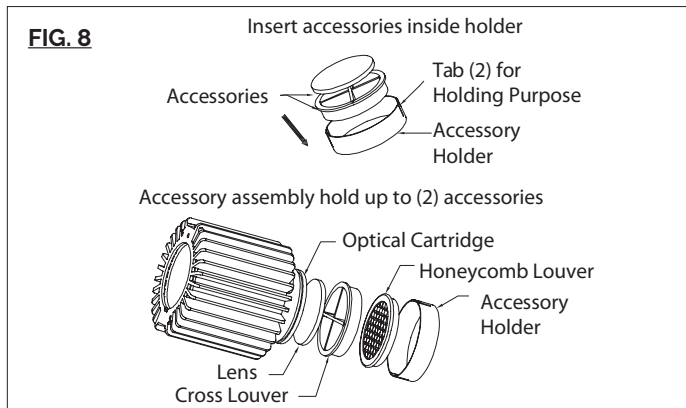
4. Fold trim assembly mounting spring tabs inward and insert trim assembly into ceiling cutout. Be sure once installed, trim assembly is flush and secure (See **FIG.4**).
5. Raise trim into trim assembly. Be sure trim torsion springs go into slots in trim assembly and trim is flush with ceiling surface (See **FIG.5 & 6**).

ACCESSORY INSTALLATION

Accessory and accessory holder can be used with standards trims and shallow trims.

1. Power off fixture and let fixture cool down.
2. Remove trim from ceiling and trim assembly (See **FIG.7**).

INSTALLATION INSTRUCTION
Atmosphere 2.5" - Downlight Round Trim
 A1RA-D48, A1RA-S48



3. Prepare accessory holder with appropriate accessory (See **FIG.8**).

4. Raise the accessory assembly up into the trim opening, engage the accessory holder with optical cartridge and push up to end to lock (See **FIG.9**).

5. Raise trim into trim assembly until trim is flush with ceiling surface (See **FIG.5 & 6**).

Note: Accessories are capable of being installed with fixture on table top or in ceiling.

REFLECTOR REPLACEMENT

1. Power off fixture and let fixture cool down.
2. Exchange reflector
 - a. Remove trim from trim assembly (See **FIG.7**).
 - b. Inset hand into fixture opening to grip optical cartridge, rotate to unlock and take out (See **FIG.10**).
 - c. Insert replacement reflector into optical cartridge, put the whole assembly back inside fixture and lock it to heat sink (See **FIG.10**).
 - d. Put trim back into trim assembly to complete (See **FIG.5 & 6**).
3. Replace the LED module (For Narrow, Flood & Wide Beams)