

INSTALLATION INSTRUCTION

Astro 3.5" Downlight Trim

A1RE-D46-DW, A1RE-D47-DW, A1RE-D56-DW, A1RE-D57-DW,
A1RE-P46-DW, A1RE-P47-DW, A1RE-P56-DW, A1RE-P57-DW,
A1RE-W46-DW, A1RE-W47-DW, A1RE-W56-DW, A1RE-W57-DW

SAFETY INSTRUCTION

IMPORTANT: NEVER attempt any work without shutting off the electricity.

- Read all instructions before installing.
- System is intended for installation by a qualified electrician in accordance with the National Electrical Code and local regulations.
- Go to the main fuse box, or circuit breaker. Place the main power switch in the "OFF" position and unscrew the fuse(s) or switch "OFF" the circuit breaker switch(es) that control the power to the fixture or room that you are working on.
- Place the wall switch in the "OFF" position.

AVERTISSEMENT

IMPORTANT : Coupez l'électricité avant TOUTE manipulation.

- Lisez toutes les instructions avant d'installer.
- Système est destiné à être installé par un électricien qualifié en conformité avec le code national de l'électricité et les règlements locaux.
- Accédez au panneau central de disjoncteurs ou de fusibles de votre demeure et placez l'interrupteur principal en position d'arrêt (« OFF »).
- Placez l'interrupteur mural en position d'arrêt (« OFF »).

CAUTION:

All parts must be used as indicated in these instructions. Do not substitute any parts, leave parts out, or use any parts that are worn out or broken. Failure to follow this instruction could invalidate the UL/cUL listing of this fixture.

TRIM INSTALLATION

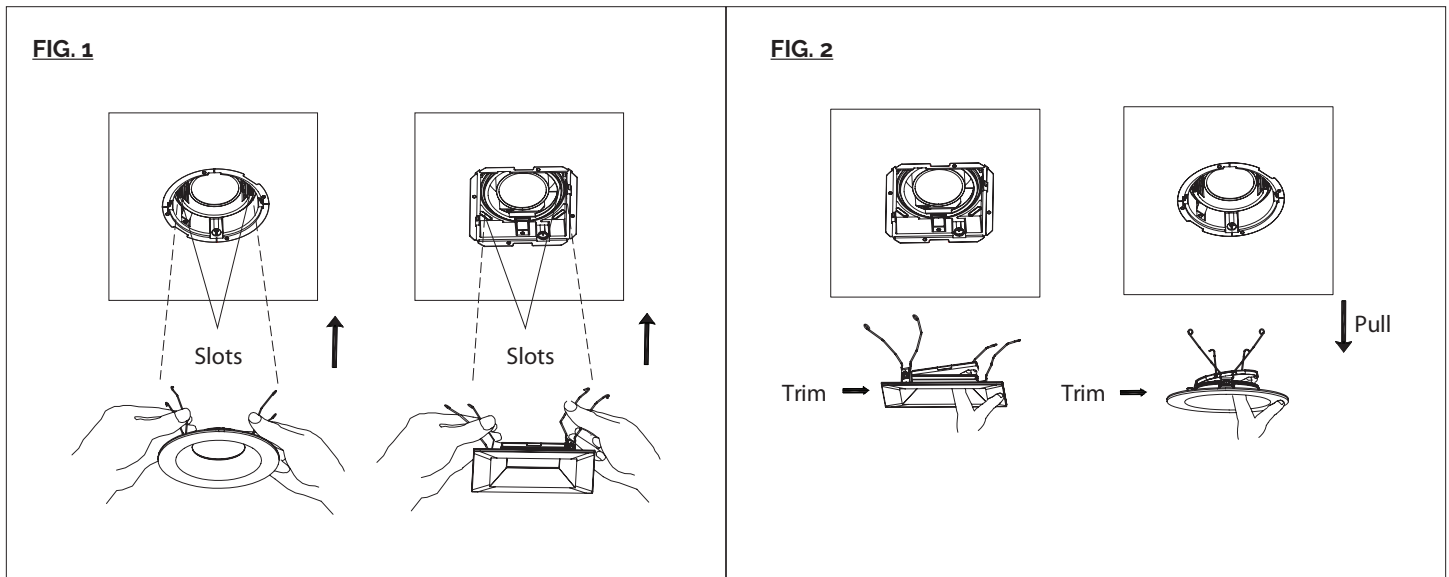
Follow appropriate housing instruction to begin the installation.

1. Pinch the trim springs inward and push them through the slots on the housing collar (See **FIG 1**).

TRIM REMOVAL

1. To remove trim from trim assembly for servicing, lift lens and gently pull trim downward. One side of spring is captive and may need to be pinched together to fully remove. (See **FIG 2**).

NOTE: Pinhole trims have edge to grab and do not require lifting of lens.



AiSPIRE retains the right to modify the design of our products at any time as part of the company's continuous improvement program.