

# INSTALLATION INSTRUCTION

## Aurora Inground

A2E30-D

**AiSPIRE**  
A W A C C O M P A N Y

### SAFETY INSTRUCTION

IMPORTANT: NEVER ATTEMPT ANY WORK WITHOUT SHUTTING OFF THE ELECTRICITY.

1. Read all instructions before installing.
2. System is intended for installation by a qualified electrician in accordance with the National Electrical Code and local regulations.
3. Place the wall switch in the "OFF" position.
4. Go to the main fuse box, or circuit breaker. Unscrew the fuse(s) or switch "OFF" the circuit breaker switch(es) that control the power to the space that you are working on.

### CAUTION

All parts must be used as indicated in these instructions. Do not substitute any parts, leave parts out, or use any parts that are worn out or broken. Failure to follow this instruction may invalidate the UL listing of this fixture.

### AVERTISSEMENT

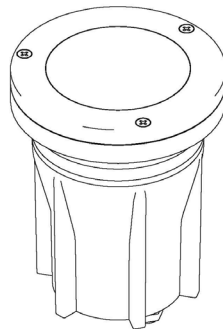
IMPORTANT : Coupez l'électricité avant TOUTE manipulation.

- Lisez toutes les instructions avant d'installer.
- Système est destiné à être installé par un électricien qualifié en conformité avec le code national de l'électricité et les règlements locaux. Placez l'interrupteur mural en position d'arrêt (« OFF »).
- Toujours mettre le fusible ou le disjoncteur en position arrêt dans la pièce ou des travaux électriques sont prévus

### MISE EN GARDE

- Toutes les pièces doivent être utilisées tel qu'il est indiqué dans ces instructions. Ne remplacez pas les pièces, n'en laissez pas de côté et ne les utilisez pas si elles sont usées ou brisées. Le non-respect de ces instructions peut annuler l'homologation UL du luminaire.

### THIS INSTRUCTION APPLIES TO THE MODEL(S) BELOW



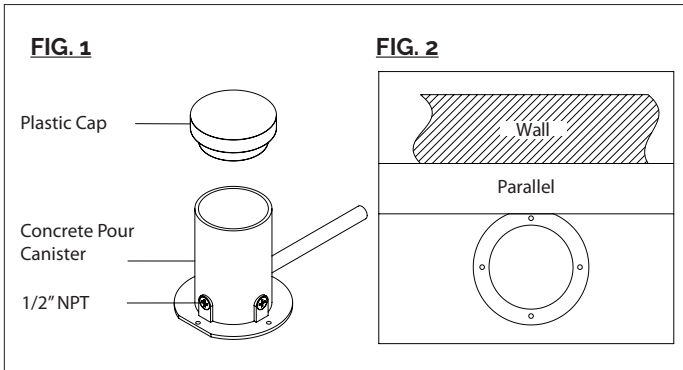
**A2E30-D**

### FIXTURE ACCESSORY (INCLUDED IN BOX)



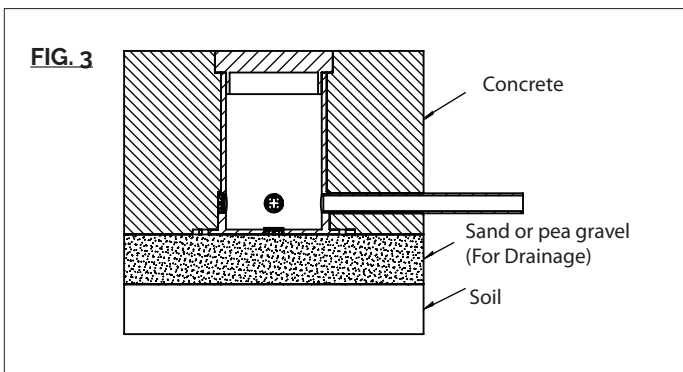
Outdoor Rated Wire Nut  
Qty: 5pcs

*AiSPIRE retains the right to modify the design of our products at any time as part of the company's continuous improvement program.*

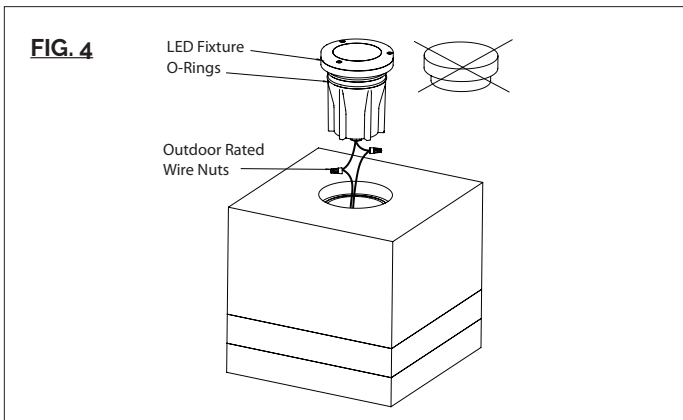


**CONCRETE POUR INSTALLATION**

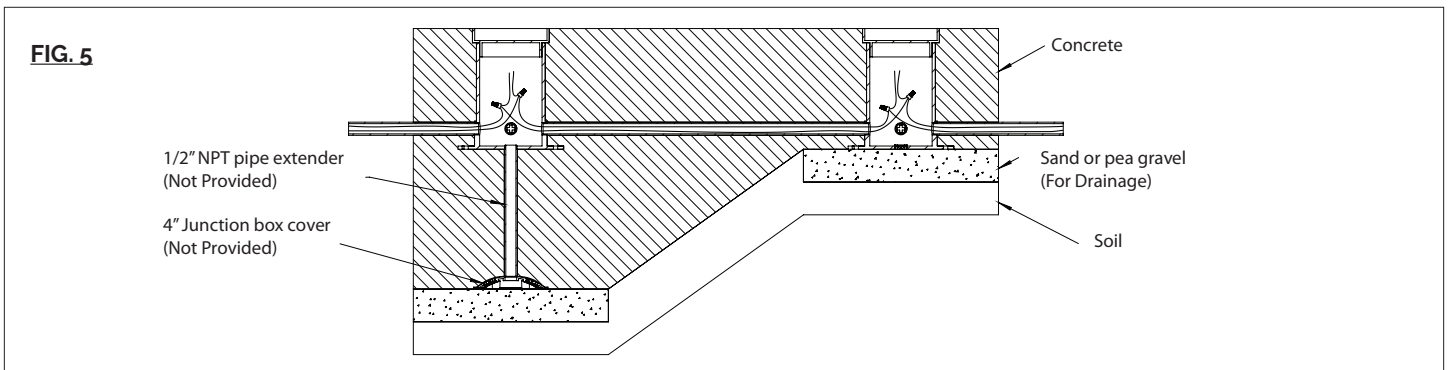
1. Turn main power off
2. Install wiring and conduit (use 1/2" NPT) with Concrete Pour Canister at desired position, plug all un-used holes (**Fig. 1**) Secure the canister to the bottom of the application ground by using screws.  
**NOTE:** For proper alignment, make sure the flat edge of the canister is parallel to the wall (**Fig. 2**)
3. Insert Plastic Cap into Concrete Pour Canister. (**Fig. 1**)
4. Pour concrete until it's flushed with the Plastic Cap. (**Fig. 3**)

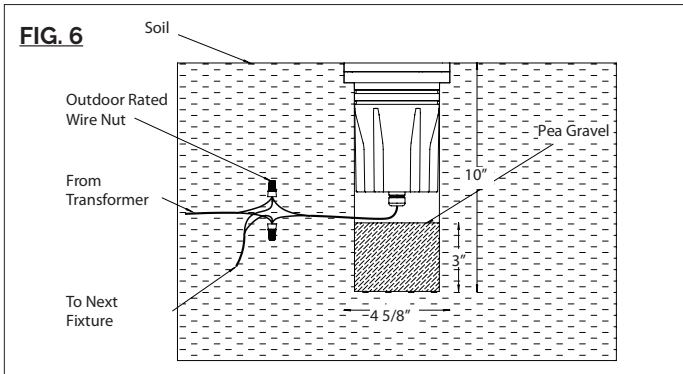


**NOTE: NO CONCRETE ENTERS THE BOX. USE SAND OR GRAVEL FOR PROPER DRAINAGE**



5. After concrete has cured, crack concrete and remove Plastic Cap using a corkscrew or similar tool. (**Fig. 4**)
6. Connect fixture leads to box wiring using supplied outdoor rated wire nuts. Make sure all power is off while wiring LED fixture.
7. Apply a smear of plumber's silicone to O-rings. Insert LED fixture into flange with a twisting motion. Make sure the trim is flushed with the top of the poured concrete.
8. To match different height requirements, use extenders and cover plates. (**Fig. 5**)





### SOFTSCAPE INSTALLATION

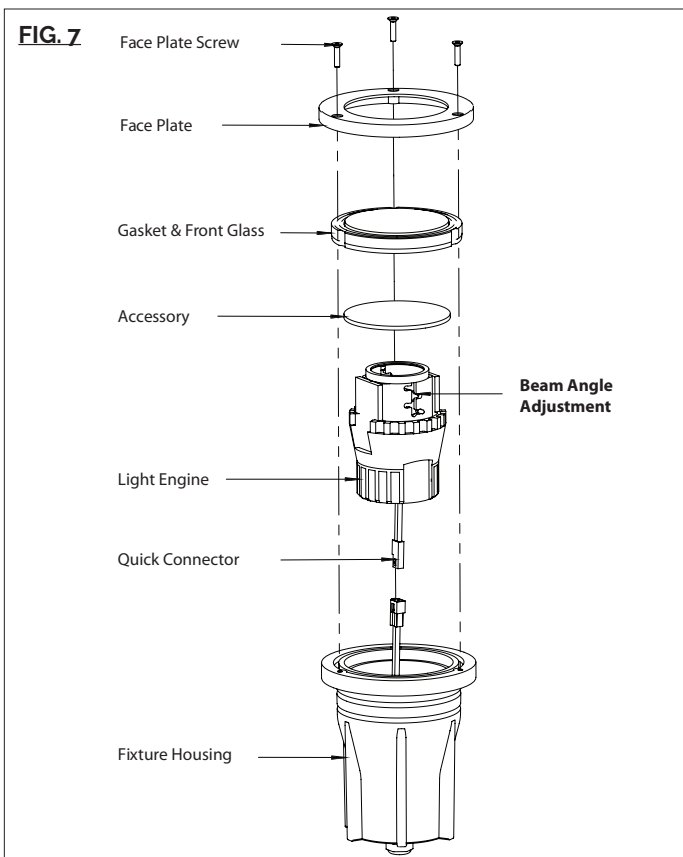
1. Turn main power off
2. Dig a hole at the point of application. Make sure the hole measures at least 4-5/8 inches in diameter and 10 inches in depth. (**Fig.6**)
3. Place a layer of pea gravel (3 inches) at the base of the hole to help with drainage.
4. Connect the fixture wires to landscape wires coming from the transformer using the outdoor rated direct burial wire nuts provided.
5. Place the fixture in the hole and repack the soil to hold it in place. Make sure the trim is flush with the ground.

### CUSTOMIZE SETTING

This fixture is equipped with three customizable settings: Dimming Adjustment, Beam Angle Adjustment, and Beam Aiming Adjustment. It can be pre-set into desired settings by taking the light engine assembly out from the fixture housing. (**Fig. 7**)

1. Unscrew Face Plate Screws with hex L-key.
2. Take out the Face Plate, Gasket, and accessory lens (if any).
3. Pull the Light Engine out of the Fixture housing.

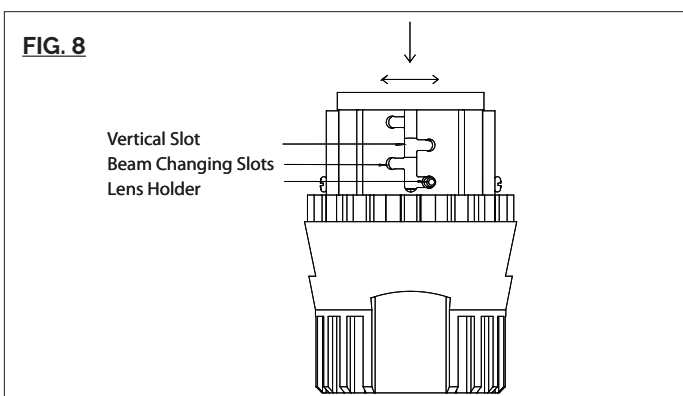
**NOTE:** Light Engine can be taken out remotely by disconnecting the Quick Connector. Users can later reconnect it back into the housing after all desired settings are been made.



### BEAM ANGLE ADJUSTMENT

1. Twist the Lens Holder to the middle vertical slot.
2. Move the Lens Holder Up/Down to any Beam Changing Slots for desired beam angle.
3. Twist the Lens Holder into the desired Beam Angle Changing Slot.

**NOTE:** Beam angle is pre-set to be 60°, 45°, 30°, and 15° from bottom up.



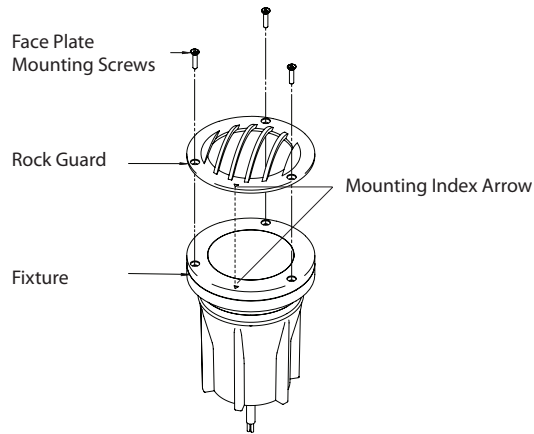
*AiSPIRE retains the right to modify the design of our products at any time as part of the company's continuous improvement program.*

# INSTALLATION INSTRUCTION

## Aurora Inground

A2E30-D

**FIG.11**



### ACCESSORIES:

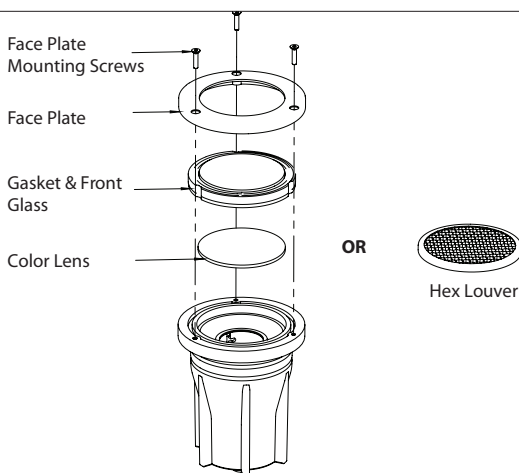
*Rock Guard* – Protects fixture front glass from large falling objects.

#### To Install (Fig 11)

1. Unscrew the Face Plate Mounting screws
2. Put the Rock Guard on top of the fixture face plate, make sure to match up the mounting index arrow on the fixture and rock guard.
3. Use the same Face Plate Mounting Screws to mount the Rock Guard onto the fixture.
  - *Color Lens* – Comes in red, blue, green and amber lenses change the light color of the fixture. (Fig. 10)
  - *Hex Louver* – Uses to reduce the glare of the fixture and control peripheral light.

**Note:** Both Color Lens & Hex Louver are installed in the same place.

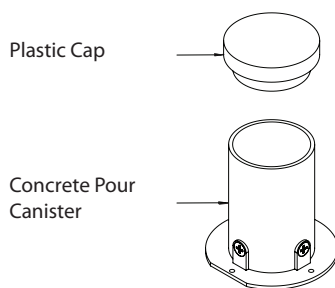
**FIG.12**



#### To Install (Fig. 12)

4. Unscrew the Face Plate Mounting Screws.
5. Take out the Face Plate, Gasket & Front Glass.
6. Drop the Color Lens/Hex Louver into the fixture housing.
7. Put everything from Step 2 back to the fixture housing and tighten the screws.
  - *Concrete Pour Canister & Cap* – used to install fixture in concrete pour applications.

**FIG.13**



#### To Install (Fig. 13)

Please visit the previous Concrete Pour Installation instructions.

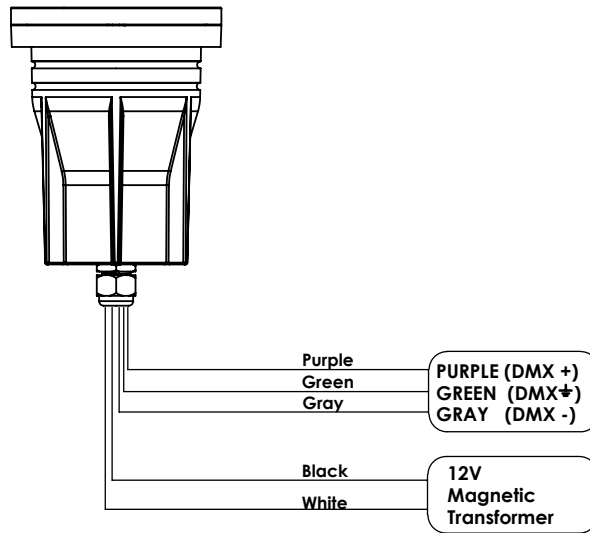
# INSTALLATION INSTRUCTION

## Aurora Inground

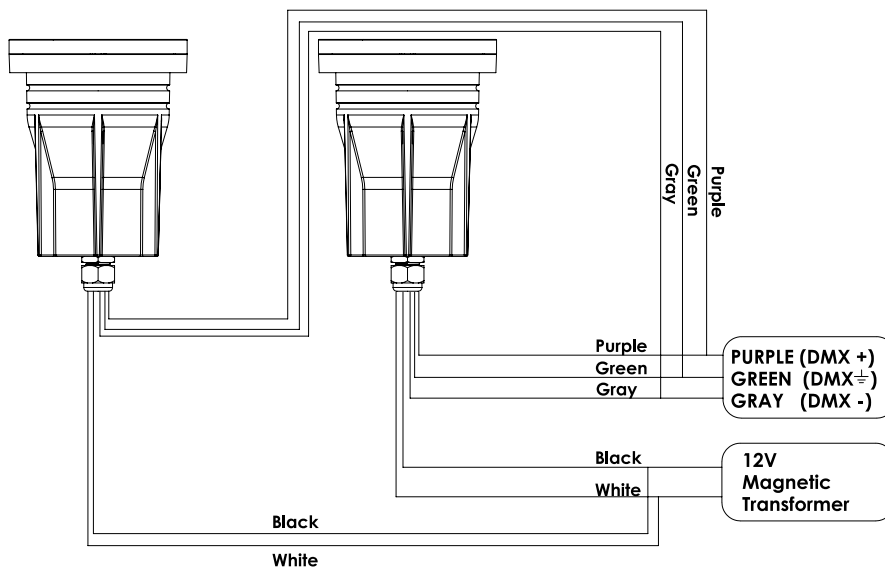
A2E30-D

### WIRING DIAGRAMS

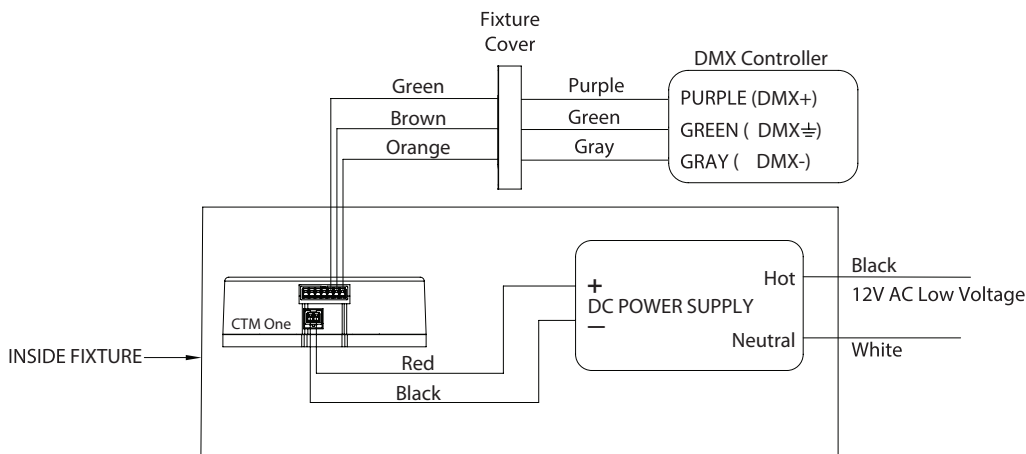
#### SINGLE FIXTURE WIRING



#### MULTIPLE FIXTURE WIRING



#### SINGLE FIXTURE (INTERNAL WIRING)- FOR LED MODULE REPLACEMENT



LEAD COLOR	INPUT
Red	12V Positive
Black	12V Negative
Green	DMX+
Orange	DMX-
Brown	DMX±

AiSPIRE retains the right to modify the design of our products at any time as part of the company's continuous improvement program.