

INSTALLATION INSTRUCTION

Atmosphere 3.5in RPS New Construction Housing

A2RD-268-CT



SAFETY INSTRUCTION

IMPORTANT: NEVER attempt any work without shutting off the electricity.

- Read all instructions before installing.
- System is intended for installation by a qualified electrician in accordance with the National Electrical Code and local regulations.
- Go to the main fuse box, or circuit breaker. Place the main power switch in the "OFF" position and unscrew the fuse(s) or switch "OFF" the circuit breaker switch(es) that control the power to the fixture or room that you are working on.
- Place the wall switch in the "OFF" position.

AVERTISSEMENT

IMPORTANT: Coupez l'électricité avant TOUTE manipulation.

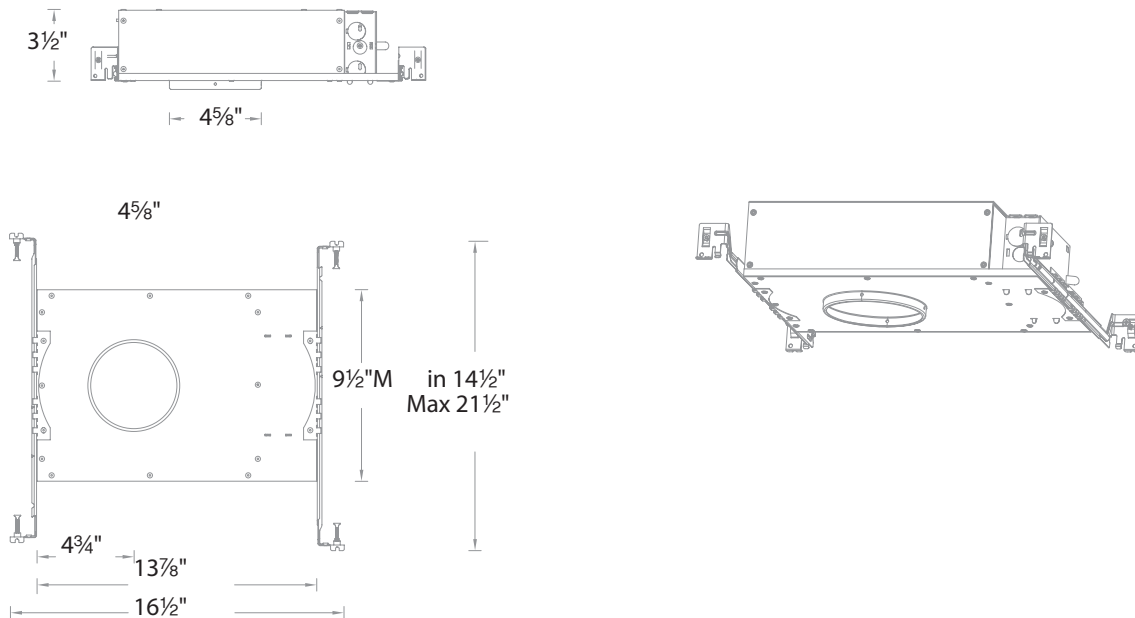
- Lisez toutes les instructions avant d'installer.
- Système est destiné à être installé par un électricien qualifié en conformité avec le code national de l'électricité et les règlements locaux.
- Accédez au panneau central de disjoncteurs ou de fusibles de votre demeure et placez l'interrupteur principal en position d'arrêt (« OFF »).
- Placez l'interrupteur mural en position d'arrêt (« OFF »).

CAUTION:

All parts must be used as indicated in these instructions. Do not substitute any parts, leave parts out, or use any parts that are worn out or broken. Failure to follow this instruction could invalidate the safety listing of this fixture. Fixtures are intended for use with compatible remote power supply (RPS). Reference fixture specification sheets and remote power supply instructions for appropriate installation.

OVERVIEW:

Housing is new construction airtight . Housing requires a trim for a finished look. Refer to specification sheets for compatible trim options.



SPECIFICATIONS							
Model	Installation	Forward Voltage	Max. Drive Current	Power	Max # of Fixtures	Multiple Fixture Wiring	Controls
A2RD-268-CT	IC-Rated	36 VDC	350mA	13W	1 per 2 Channels	N/A	See RPS Instructions

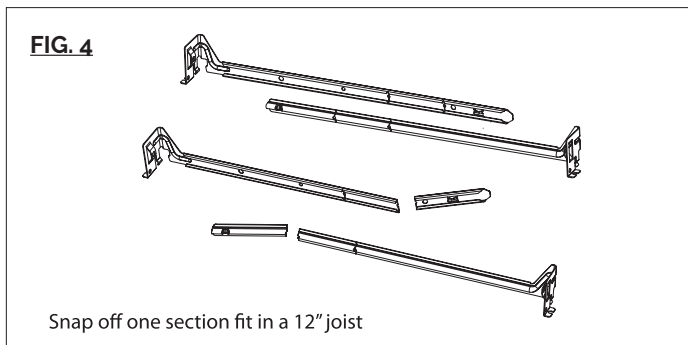
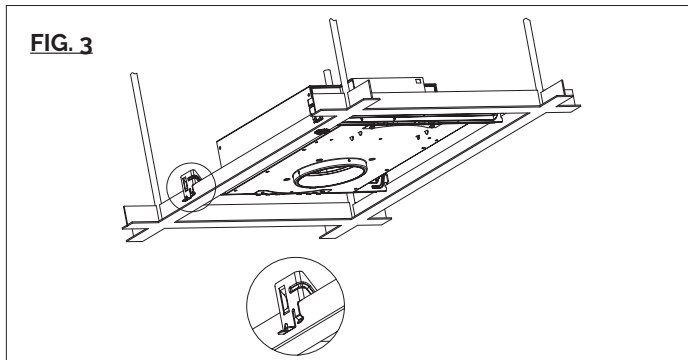
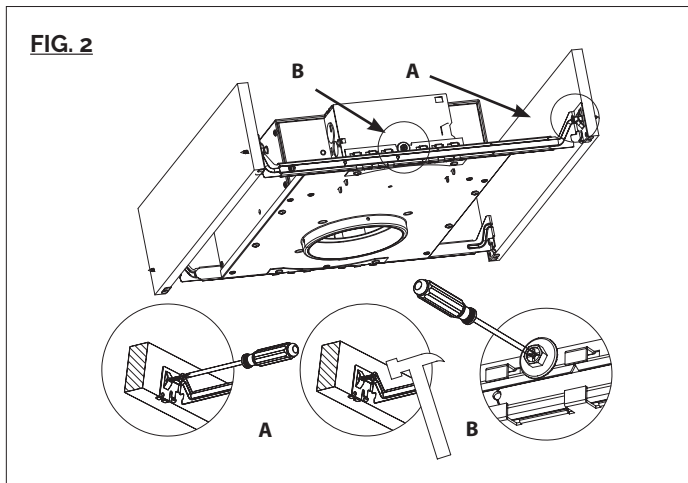
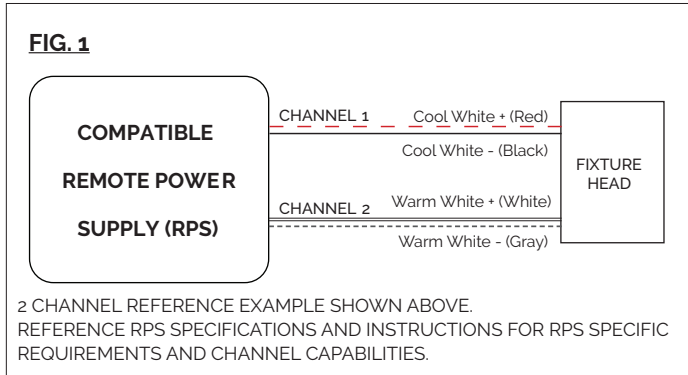
† Two channels per head required for CCT tuning. Max current per head is the sum of the drive currents on both channels.

AisPIRE retains the right to modify the design of our products at any time as part of the company's continuous improvement program.

INSTALLATION INSTRUCTION

Atmosphere 3.5in RPS New Construction Housing

A2RD-268-CT



LOW VOLTAGE WIRING REQUIREMENTS:

AISPIRE fixtures may be wired to compatible remote power supplies (RPS) using appropriate low voltage wiring. Refer to RPS instructions for information regarding wiring gauge and distance recommendations.

1. One Atmosphere fixture head to be wired per two channel output of the RPS. (See **FIG. 1**).

CAUTION: Two channels per head required for CCT tuning. Max current per head is the sum of the drive currents on both channels.

Example: If 350 mA is applied to one channel, no current may be applied to the other channel. Follow specification chart on page 1.

HOUSING INSTALLATION:

1. Install housing using two hanger bars provided, align the bottom of the hanger bar with the bottom of the joist, secure the "screw-nail" on each end by screw-driver or by hammer (See **FIG. 2 detail A**).

Slide fixture along hanger bar into desired location, use locking screws to secure (See **FIG. 2 detail B**).

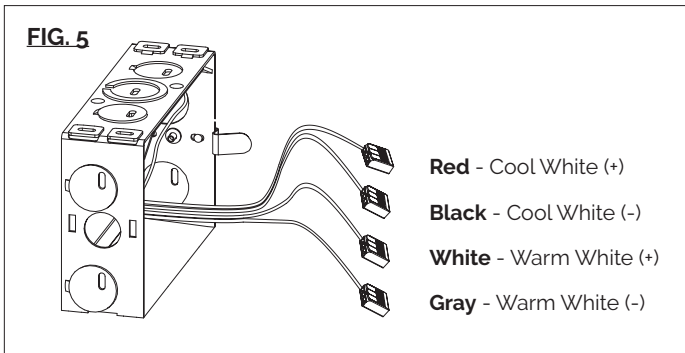
For grid installation, hanger bars are supported on grids. (See **FIG. 3**)

2. To shorten hanger bars to fit in a 12" joist, snap off one section of the hanger bars (See **FIG. 4**).

INSTALLATION INSTRUCTION

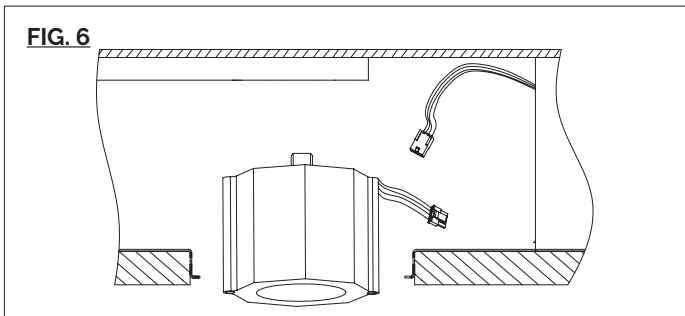
Atmosphere 3.5in RPS New Construction Housing

A2RD-268-CT



3. Remove spring latched junction box cover and connect fixture wires to building wires: insert each supply wire into appropriate junction box connector. Connect red fixture wire to Cool White (+), black fixture wire to Cool White (-), White fixture wire to Warm White (+), gray fixture wire to Warm White (-) (See **FIG. 5**).

Place all wiring and connectors back in junction box and replace the junction box's cover.

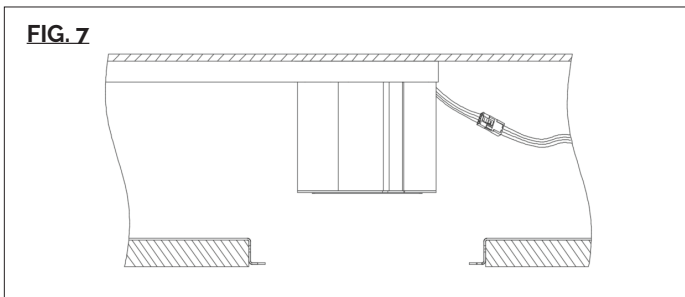


DOWNLIGHT TRIM INSTALLATION

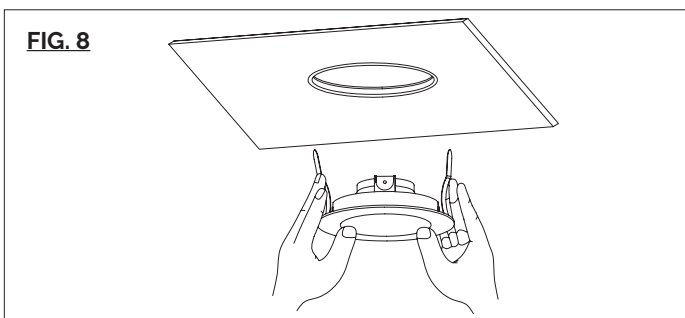
1. When installing in drywall, cut a hole 4 5/8" in the drywall.

Note: 1 1/2" inch maximum ceiling thickness.

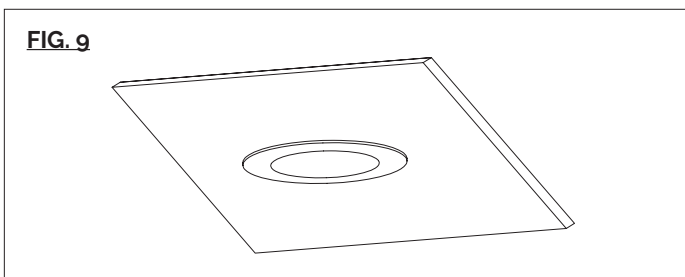
2. Install light engine into the housing by rotating it clockwise onto stud (**FIG. 6**)



Connect light engine and housing power connectors (**FIG. 7**).



3. Raise the trim to housing, depress trim spring clips and push the trim assembly up until the trim ring is flush to the ceiling (See **FIG. 8** and **FIG. 9**).

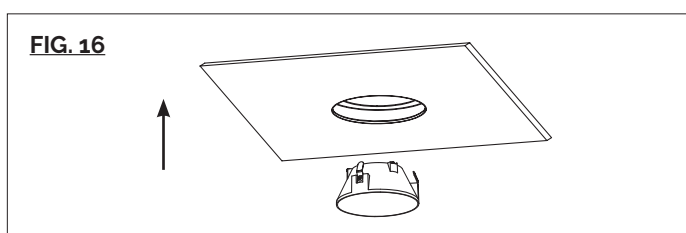
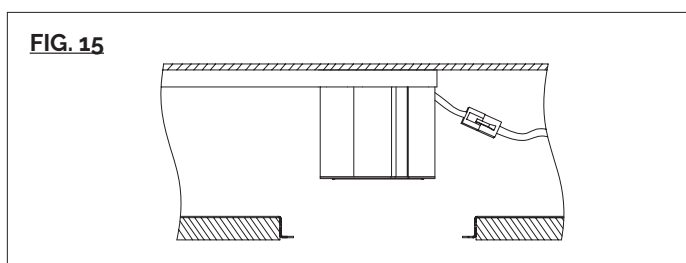
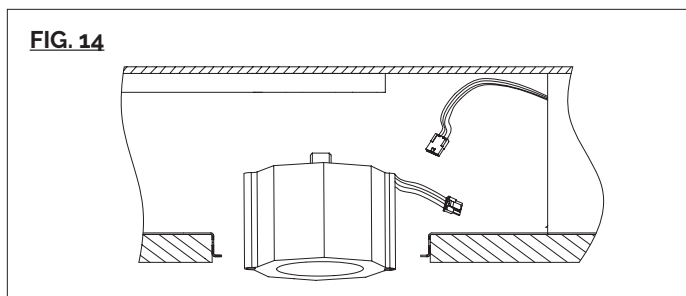
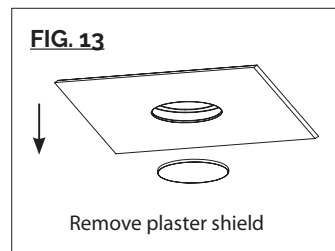
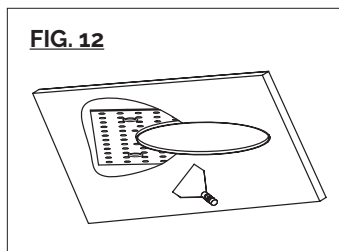
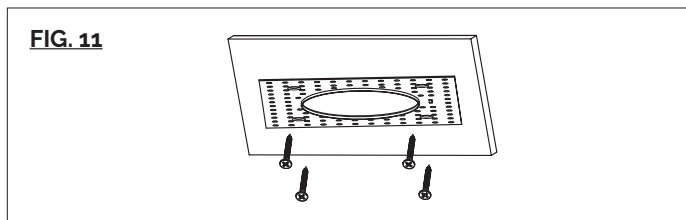
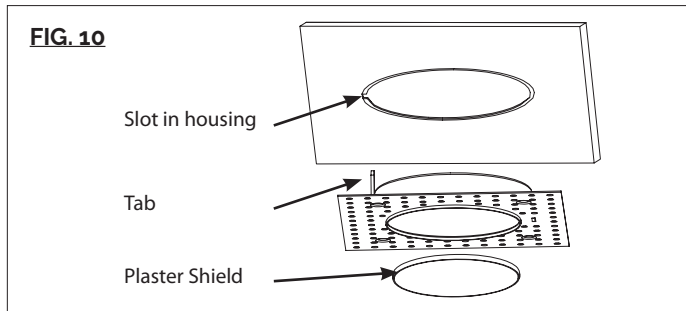


AiSPIRE retains the right to modify the design of our products at any time as part of the company's continuous improvement program.

INSTALLATION INSTRUCTION

Atmosphere 3.5in RPS New Construction Housing

A2RD-268-CT



DOWNLIGHT INVISIBLE TRIM INSTALLATION

1. When installing in drywall, cut a hole 4 5/8" in the drywall.

Note: 1 1/2" inch maximum ceiling thickness.

2. Raise the invisible trim frame aligning tab to slot in housing, and put plaster shield inside (See **FIG. 10**).
3. Secure the invisible trim frame to the housing, flush up against the ceiling using the screws supplied (See **FIG. 11**).

4. Apply plaster or spackle over Invisible frame and sand surface when dry for a finished look (See **FIG. 12**).
5. Remove the plaster cover when finishing is completed (See **FIG. 13**).

6. Install light engine into the housing by rotating it clockwise onto stud (**FIG. 14**).

Connect light engine and housing power connectors (**FIG. 15**).

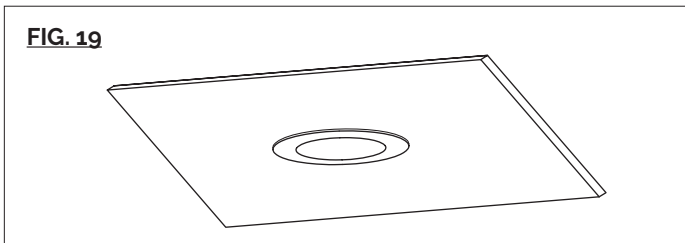
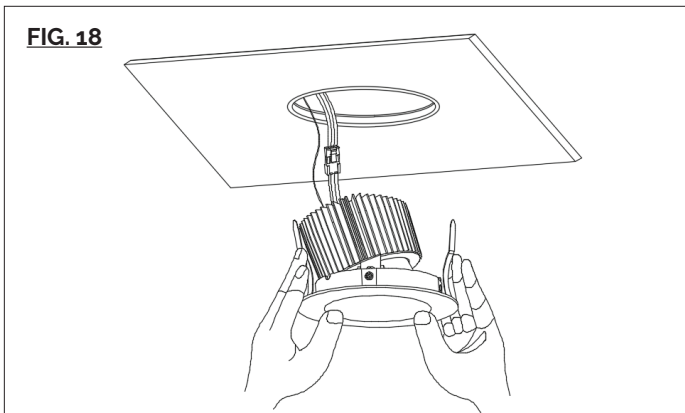
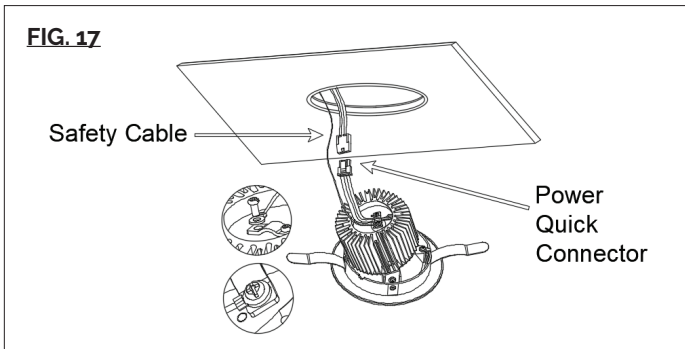
7. Raise the invisible trim assembly up to trim frame until the trim ring is flush to the trim frame (See **FIG. 16**).

AiSPIRE retains the right to modify the design of our products at any time as part of the company's continuous improvement program.

INSTALLATION INSTRUCTION

Atmosphere 3.5in RPS New Construction Housing

A2RD-268-CT



WALL WASH TRIM INSTALLATION

1. When installing in drywall, cut a hole 4 5/8" in the drywall.

Note: 1 1/2" inch maximum ceiling thickness.

2. Raise trim to ceiling, connect the power quick connector secure safety cable to top of trim using screw provided (See **FIG. 17**).
3. Push the trim assembly up inside the housing until the trim ring is flush to the ceiling (See **FIG. 18** and **FIG. 19**).

INSTALLATION INSTRUCTION

Atmosphere 3.5in RPS New Construction Housing

A2RD-268-CT

FIG. 20

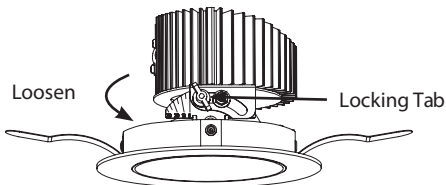


FIG. 21

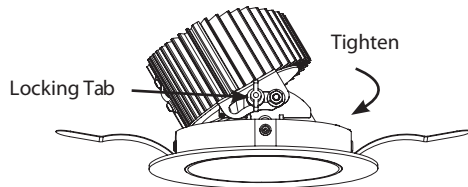


FIG. 22

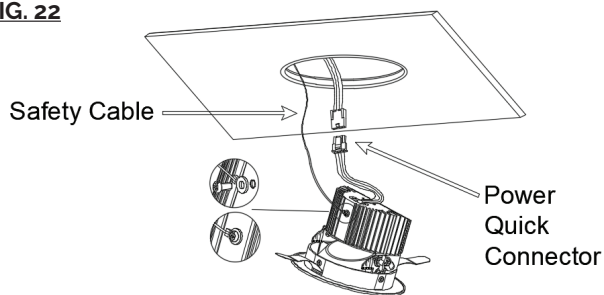


FIG. 23

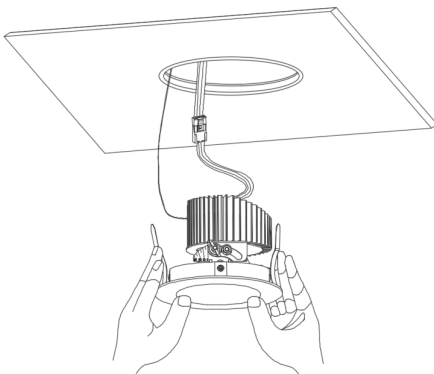
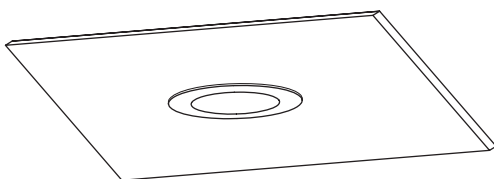


FIG. 24



ADJUSTABLE TRIM INSTALLATION

1. When installing in drywall, cut a hole 4 5/8" in the drywall.

Note: 1 1/2" inch maximum ceiling thickness.

2. Loosen the locking tab by rotating counter clockwise (**FIG. 20**) Adjust to desire angle (From 0° to 30°), Retighten the locking tab (**FIG. 21**).

3. Raise trim to ceiling, connect the power quick connector. Secure safety cable to top of trim using screw provided (**FIG. 22**).

4. Push the trim assembly up inside the housing until the trim ring is flush to the ceiling (as **FIG. 23** and **FIG. 24**).

AiSPIRE retains the right to modify the design of our products at any time as part of the company's continuous improvement program.