

Atmosphere Basics

A1RH Downlight 4"



Fixture Type: _____
 Catalog Number: _____
 Project: _____
 Location: _____

FINISHES



Model	Beam	Color Temp	CRI	Max Lumens	Max CBCP	Finish
A1RH-446 (Round Remodel)		2700K				
A1RH-246 (Round New Construction)		3000K				
A1RH-456 (Square Remodel)	F 45°	3500K	90	1090	1474	WT White
A1RH-256 (Square New Construction)		4000K				
		5000K				

Example: **A1RH-456F-CSWT**

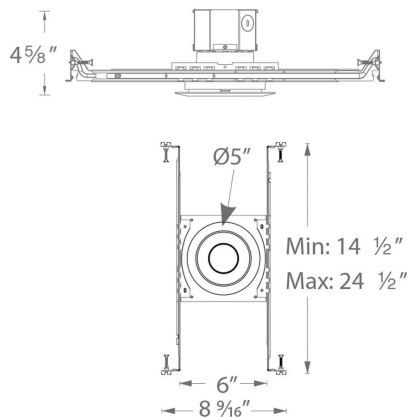
DESCRIPTION

Minimum profile downlight with driver and electrical connection box attached to fixture for easy remodel or new construction installation.

FEATURES

- Electrical Box Located on back of fixture to allow easy installation
- Sold as remodel or new construction
- Driver concealed within the fixture
- 5 year warranty

LINE DRAWING



SPECIFICATIONS

- Construction:** Die-cast Aluminum with 20-gauge Cold Rolled Steel Junction Box
- Power:** 12W
- Input:** 120-277 VAC, 50/60Hz
- Dimming:** TRIAC: 100-5%, ELV: 100-10%
- Light Source:** Integrated LED
- Lens:** Frosted TIR lens
- Rated Life:** 50000 Hours
- Mounting:** Remodel Installation or New construction housings included with hanger bars
- Cut Out:** 4" for remodel, 4 1/8" for new construction
- Finish:** Electrostatically Powder Coated White
- Ceiling Thickness:** 1/2" - 1 1/2"
- Operating Temp:** -4°F to 104°F (-20°C to 40°C)
- Standards:** ETL, cETL, Wet Location Listed, Title 24 JA8-2016 Compliant, IC, Airtight