

# Atmosphere Basics

## A1RM, A1RN Flat 4in, 6in



Fixture Type: \_\_\_\_\_  
 Catalog Number: \_\_\_\_\_  
 Project: \_\_\_\_\_  
 Location: \_\_\_\_\_

### FINISHES



White

Model & Size	Beam	Color Temp	CRI	Max Lumens	Finish
A1RM-446 A1RN-446	W 100°	CS 2700K 3000K 3500K 4000K 5000K	90	720 1200	WT White

Example: **A1RM-446W-CSWT**

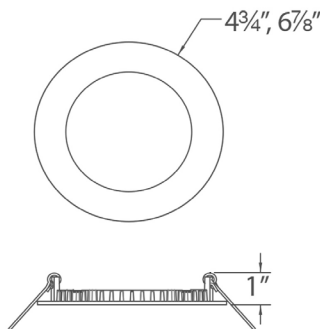
### DESCRIPTION

Shallow profile LED that is designed to fit in in furred down ceilings without sacrificing lumen output. Available in 4" or 6".

### FEATURES

- 5CCT Selectable - 2700K, 3000K, 3500K, 4000K, 5000K
- Multiple LED array for uniform illumination
- Ultra-slim profile
- Driver included
- 5 year warranty

### LINE DRAWING



### SPECIFICATIONS

<b>Construction:</b>	Steel with translucent acrylic diffuser
<b>Power:</b>	9W, 14W
<b>Input:</b>	120 -277 VAC, 50/60Hz
<b>Dimming:</b>	TRIAC: 100-5%, ELV: 100-5%
<b>Light Source:</b>	Integrated LED
<b>Lens:</b>	Translucent acrylic diffuser
<b>Rated Life:</b>	50000 Hours
<b>Mounting:</b>	Heavy gauge retention clips secures fixture to ceiling
<b>Cut Out:</b>	4 1/4", 6 1/4"
<b>Finish:</b>	Electrostatically Powder Coated White
<b>Ceiling Thickness:</b>	1/2" - 1"
<b>Operating Temp:</b>	-4°F to 104°F (-20°C to 40°C)
<b>Standards:</b>	ETL, cETL, Wet Location Listed, Title 24 JA8-2016 Compliant, IC, Airtight