

# AiSPIRE® POWER SUPPLY

## 96W REMOTE POWER SUPPLY



Fixture Type: \_\_\_\_\_

Catalog Number: \_\_\_\_\_

Project: \_\_\_\_\_

Location: \_\_\_\_\_

### FINISHES



Black

### Model

<b>A2D10-96</b>	<i>96W 24VDC Class 2 Output Power Supply</i>	<i>Includes: DIN Rail Stopper</i>
-----------------	--	-----------------------------------

Example: A2D10-96

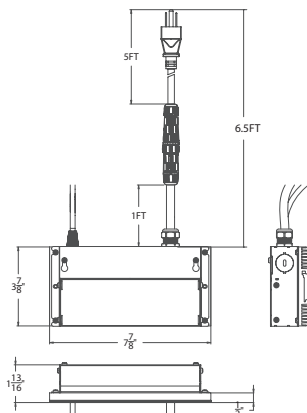
### DESCRIPTION

This class 2 UL & cUL listed enclosed electronic power supply is the perfect solution for wiring to DMX LED Controller. Class 2 power supply is intrinsically safer power supply because they are compartmentalized to allow no greater than 4 amps of current and pose no risk for electrical shock. Enclosure cover is easy to remove. Power supply has a three prongs power cord plug ready for integrator. The pre-installed DIN RAIL mounting bracket on the power supply is ready for 35mm DIN Rail mounting.

### FEATURES

- Short Circuit, over current, over voltage, over temperature protection
- UL Class 2 Output
- Easily connect 3 prongs input power cord plug
- Pre-wired output wires ready for DMX LED Controller
- DIN Rail & Surface Mount
- DIN Rail stopper is included in the package
- 5 years warranty

### LINE DRAWING



### SPECIFICATIONS

<b>Construction:</b>	Metal
<b>Input:</b>	120VAC
<b>Output</b>	24VDC
<b>PF</b>	>0.9
<b>THD</b>	<20%
<b>Mounting</b>	35MM DIN Rail & Surface Mount
<b>Dimension</b>	7 7/8" X 3 7/8" X 1 13/16" (L X W X H)
<b>Rated Life</b>	50,000 hours
<b>Operating Temp:</b>	-4°F to 104°F (-20°C to 40°C)
<b>Standards:</b>	UL & cUL listed, Damp Location listed, Title 24 Compliant FCC Part 15 Class B Compliant

aispire.com  
Phone (800) 526.2588  
Fax (800) 526.2585

**Headquarters/Eastern Distribution Center**  
44 Harbor Park Drive  
Port Washington, NY 11050

**Central Distribution Center**  
1600 Distribution Ct  
Lithia Springs, GA 30122

**Western Distribution Center**  
1750 Archibald Avenue  
Ontario, CA 91760