

STEP LIGHTS RPS

A2W12



Fixture Type: _____

Catalog Number: _____

Project: _____

Location: _____

FINISHES



Model	Forward Voltage	Max Drive Current	Max # of Fixture	Beam	Color Temp	Lumen	Finish
A2W12 (Square Trimmed)	6V	300mA	7 per Channel	82	27 2700K 30 3000K	20 30 58	SS Stainless Steel BK Black WT White

Example: **A2W12-327BK**

*AISPIRE RPS Required, Sold Separately

DESCRIPTION

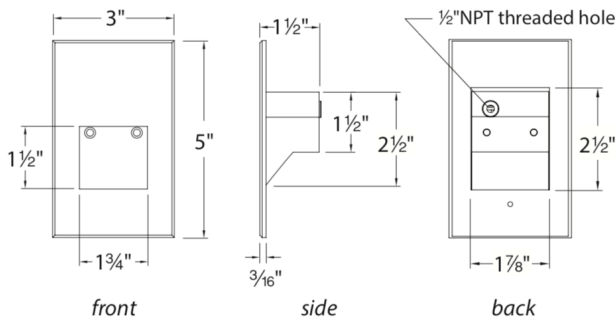
Vertical rectangle step light. Designed for safety and style on stairways, patios, decks, balcony areas, walkways and building perimeters.

Features an architectural design. Energy efficient for long-lasting indoor and outdoor lighting solutions. Creates an attractive, romantic impression at night.

FEATURES

- Direct wiring, no driver needed
- Can be painted to match the color of the surface
- Low profile, flush to wall aesthetics with no visible hardware
- 54,000 hour rated life
- Balanced lighting, free of shadows with minimum glare
- 5 year warranty

LINE DRAWING



SPECIFICATIONS

- Construction:** Die-cast aluminum or 316 marine grade cast stainless steel
- Power:** Direct wiring, no remote driver needed. Input voltage: Class 2 Low Voltage, DC power
- Dimming:** Refer to RPS specifications for protocol and compatibility
- CRI:** 90
- Mounting:** Fits into 2" x 4" J-Box with minimum inside dimensions of 3"L x 2"W x 2"H
Includes bracket for J-Box mount.
- Standards:** IP66, UL & cUL Listed for wet locations, Title 24 JA8-2019 Compliant.
- Operating Temp:** -4°F to 104°F (-20°C to 40°C)

aispire.com
Phone (800) 526.2588
Fax (800) 526.2585

Headquarters/Eastern Distribution Center
44 Harbor Park Drive
Port Washington, NY 11050

Central Distribution Center
1600 Distribution Ct
Lithia Springs, GA 30122

Western Distribution Center
1750 Archibald Avenue
Ontario, CA 91760

AiSPIRE® Remote Power Supply (RPS)

A2D LED DMX Power Unit



Model	# of channels	Finish
A2D20 2 x 75W Class 2 output DMX LED power unit	4	BK Black
A2D40 4 x 75W Class 2 output DMX LED power unit	8	BK Black

Example: A2D20-BK

FINISHES



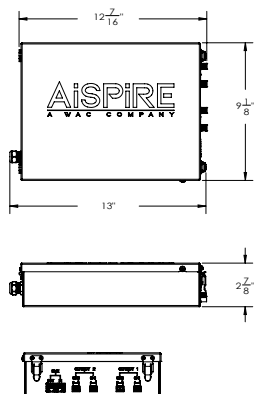
Black

FEATURES

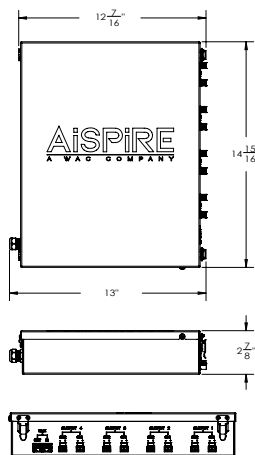
- 75W Max. Output Power (Per DMX Power Unit)
- 250mA-1500mA output current selection
- Class 2 power supply
- Built-in DMX512 interface
- IP20 rating
- UL Damp location listed

LINE DRAWING

A2D20 - 4 Channel



A2D40- 8 Channel



INPUT

Voltage Range:	120VAC
Frequency Range:	50/60Hz
Power Factor:	0.99 @100VAC
THD:	<15% @full load
Current:	0.9A @100VAC
Standby Power Consumption:	<0.5w

OUTPUT

LED Channels:	APD20-BK: 4 Channels APD40-BK: 8 Channels
Selectable Current:	250mA, 300mA, 350mA, 400mA, 450mA, 500mA, 600mA, 700mA, 800mA, 900mA, 1A, 1.1A, 1.2A, 1.3A, 1.4A, 1.5A
DC Voltage Range:	6-48VDC
Current Tolerance:	± 3%
Rated Power:	72W per channel 75W max (per 2-channel output)

CONTROL

Control Protocol:	DMX 512-A, DMX 512
Diming Range:	0%-100%
Control Input:	DMX RJ45
Dimming Curve:	Linear/Logarithm (Selectable)

PROTECTION

Short Circuit, Over Voltage, Over Temp: Recovers automatically after fault condition is removed

ENVIRONMENT

Ambient Operating Temp: -4°F - 113°C (-20°F - 45°C)

SAFETY & EMC

- Safety Standard: UL 2018, Damp Location
- EMC Emission: FCC Part 15 Class B
- Surge Immunity: Line-Line 1 kV

aispire.com
Phone (800) 526.2588
Fax (800) 526.2585

Headquarters/Eastern Distribution Center
44 Harbor Park Drive
Port Washington, NY 11050

Central Distribution Center
1600 Distribution Ct
Lithia Springs, GA 30122

Western Distribution Center
1750 Archibald Avenue
Ontario, CA 91760